

PRODUCT DATASHEET

LED FACADE EDGE 12 W 3000 K WT SENSOR

LEDVANCE OUTDOOR LED FACADE EDGE | Slim LED luminaires with high light output and optional sensor



AREAS OF APPLICATION

- Outdoor
- Building facades
- Entrance lighting
- Gardens, balconies and other outdoor areas

PRODUCT BENEFITS

- Energy-efficient thanks to LED technology
- 5 years guarantee
- Easy and quick installation
- Homogeneous light output

PRODUCT FEATURES

- Very bright and functional outdoor LED luminaires
- Type of protection: IP54
- Die-cast aluminum housing
- Available with and without motion sensor
- Available in two housing colors: white and dark gray
- Diffuser made of opal polycarbonate with clear glass cover



TECHNICAL DATA

Electrical data

Operating mode	Mains voltage
Mains frequency	50/60 Hz
Power factor λ	>0.5
Nominal wattage	12.20 W
Nominal voltage	220...240 V
Nominal current	0.08 A

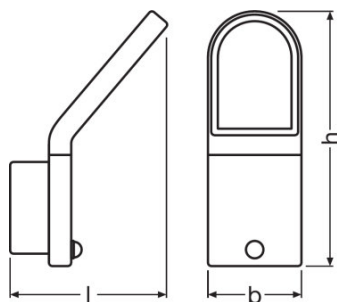
Photometrical data

Luminous efficacy	65 lm/W
Luminous flux	770 lm
Color temperature	3000 K
Light color (designation)	Warm White
Color rendering index Ra	≥ 80
Standard deviation of color matching	<6 sdc _m

Light technical data

Beam angle	107.00 °
-------------------	----------

Dimensions & weight



Length	168.0 mm
Width	100.0 mm
Height	273.0 mm
Product weight	1300.00 g

Colors & materials

Housing color	White
Product color	White

Body material	Aluminum
----------------------	----------

Temperatures & operating conditions

Temperature range in operation	-20...40 °C
Ambient temperature range	-20...40 °C

Lifespan

Number of switching cycles	15000
-----------------------------------	-------

Additional product data

Mounting location	Wall
Product remark	Available from February 2018

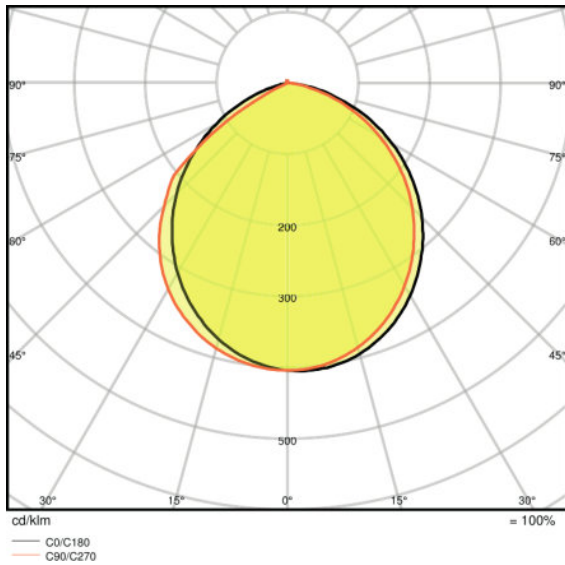
Capabilities

Type of connection	Terminal, 3-Pole (L, N, PE)
Dimmable	No
LED module replaceable	Not replaceable

Certificates & standards

Type of protection	IP54
Protection class	I
Protection class IK (shock resistance)	IK06
Photobiological safety group	RG 0
Standards	CE

Light Distribution



LDC typ polar

EQUIPMENT / ACCESSORIES

- Complete mounting and connecting accessories included

LOGISTICAL DATA

Product code	Product description	Packaging unit (Pieces/Unit)	Dimensions (length x width x height)	Volume	Gross weight
4058075074811	LED FACADE EDGE 12 W 3000 K WT SENSOR	Shipping carton box 4	425 mm x 285 mm x 315 mm	38.15 dm ³	5822.00 g

The mentioned product code describes the smallest quantity unit which can be ordered. One shipping unit can contain one or more single products. When placing an order, for the quantity please enter single or multiples of a shipping unit.

REFERENCES / LINKS

For Guarantee see

- ▶ www.ledvance.com/guarantee

DISCLAIMER

Subject to change without notice. Errors and omission excepted. Always make sure to use the most recent release.