

# PRODUCT DATASHEET

## LED FACADE EDGE 12 W 3000 K GY

**LEDVANCE OUTDOOR LED FACADE EDGE | Slim LED luminaires with high light output and optional sensor**



---

### AREAS OF APPLICATION

- Outdoor
- Building facades
- Entrance lighting
- Gardens, balconies and other outdoor areas

---

### PRODUCT BENEFITS

- Energy-efficient thanks to LED technology
- 5 years guarantee
- Easy and quick installation
- Homogeneous light output

---

### PRODUCT FEATURES

- Very bright and functional outdoor LED luminaires
- Type of protection: IP54
- Die-cast aluminum housing
- Available with and without motion sensor
- Available in two housing colors: white and dark gray
- Diffuser made of opal polycarbonate with clear glass cover



**TECHNICAL DATA**

Electrical data

<b>Operating mode</b>	Mains voltage
<b>Mains frequency</b>	50/60 Hz
<b>Power factor <math>\lambda</math></b>	>0.5
<b>Nominal wattage</b>	12.00 W
<b>Nominal voltage</b>	220...240 V
<b>Nominal current</b>	0.096 A

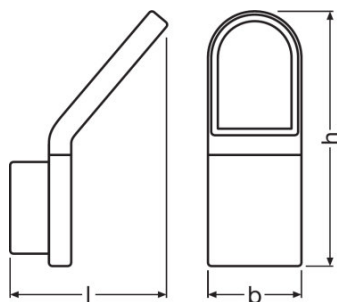
Photometrical data

<b>Luminous efficacy</b>	60 lm/W
<b>Luminous flux</b>	740 lm
<b>Color temperature</b>	3000 K
<b>Light color (designation)</b>	Warm White
<b>Color rendering index Ra</b>	$\geq 80$
<b>Standard deviation of color matching</b>	<6 sdc <sub>m</sub>

Light technical data

<b>Beam angle</b>	110 °
-------------------	-------

Dimensions & weight



<b>Length</b>	168.0 mm
<b>Width</b>	100.0 mm
<b>Height</b>	273.0 mm
<b>Product weight</b>	1300.00 g

Colors & materials

<b>Housing color</b>	Gray
<b>Product color</b>	Gray

<b>Body material</b>	Aluminum
----------------------	----------

### Temperatures & operating conditions

<b>Temperature range in operation</b>	-20...40 °C
<b>Ambient temperature range</b>	-20...40 °C

### Lifespan

<b>Number of switching cycles</b>	15000
-----------------------------------	-------

### Additional product data

<b>Mounting location</b>	Wall
<b>Product remark</b>	Available from February 2018

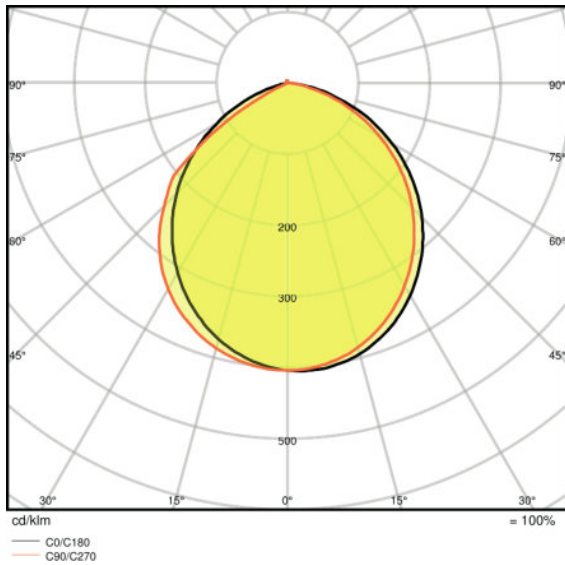
### Capabilities

<b>Type of connection</b>	Terminal, 3-Pole (L, N, PE)
<b>Dimmable</b>	No
<b>LED module replaceable</b>	Not replaceable

### Certificates & standards

<b>Type of protection</b>	IP54
<b>Protection class</b>	I
<b>Protection class IK (shock resistance)</b>	IK06
<b>Photobiological safety group</b>	RG 0
<b>Standards</b>	CE

Light Distribution



LDC typ polar

EQUIPMENT / ACCESSORIES

- Complete mounting and connecting accessories included

LOGISTICAL DATA

Product code	Product description	Packaging unit (Pieces/Unit)	Dimensions (length x width x height)	Volume	Gross weight
4058075074750	LED FACADE EDGE 12 W 3000 K GY	Shipping carton box 4	425 mm x 285 mm x 315 mm	38.15 dm <sup>3</sup>	5822.00 g

The mentioned product code describes the smallest quantity unit which can be ordered. One shipping unit can contain one or more single products. When placing an order, for the quantity please enter single or multiples of a shipping unit.

REFERENCES / LINKS

For Guarantee see  
 ▶ [www.ledvance.com/guarantee](http://www.ledvance.com/guarantee)

DISCLAIMER

Subject to change without notice. Errors and omission excepted. Always make sure to use the most recent release.