

Data Sheet | Item Number: 221-415

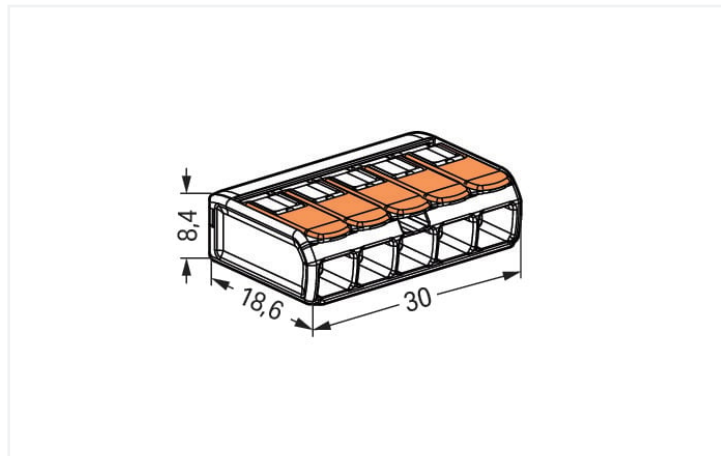
COMPACT Splicing Connector; for all conductor types; max. 4 mm²; 5-conductor; with levers; transparent housing; Surrounding air temperature: max 85°C (T85); 4,00 mm²; transparent



<https://www.wago.com/221-415>



Color: transparent



Dimensions in mm

Your benefits:

- Ease of use – pull the lever up, insert a conductor and push the lever back down
- Available as 2-, 3- and 5-wire connectors
- Easily terminate conductors from 0.14 to 4 mm²
- Connect solid, stranded and fine-stranded conductors
- Save time for installers and device manufacturers
- Quickly install devices with higher power consumption
- Safely install long cable runs with larger conductor cross sections
- Mounting carrier for installation conforms to standards
- Custom carriers are possible

Notes

Safety information

in grounded power lines

Electrical data

Ratings per IEC/EN

| | |
|----------------------------|---------------------------------------------------------|
| Ratings per | EN 60664 |
| Nominal voltage (II/2) | 450 V |
| Rated surge voltage (II/2) | 4 kV |
| Rated current | 32 A |
| Legend (ratings) | (II / 2) ≙ Overvoltage category II / Pollution degree 2 |

Ratings per UL 1059

| | |
|--------------------------------|---------|
| Approvals per | UL 486C |
| Rated voltage UL (Use Group C) | 600 V |
| Rated current UL (Use Group C) | 20 A |

Connection data

| | |
|----------------------------|---|
| Connection points | 5 |
| Total number of potentials | 1 |

Connection 1

| | |
|---------------------------------|--------------------------------------------|
| Connection technology | CAGE CLAMP® |
| Actuation type | Lever |
| Connectable conductor materials | Copper |
| Nominal cross-section | 4 mm ² / 12 AWG |
| Solid conductor | 0.2 ... 4 mm ² / 24 ... 12 AWG |
| Stranded conductor | 0.2 ... 4 mm ² / 24 ... 12 AWG |
| Fine-stranded conductor | 0.14 ... 4 mm ² / 24 ... 12 AWG |
| Strip length | 11 mm / 0.43 inches |

Connection 1

| | |
|------------------|-------------------|
| Wiring direction | Side-entry wiring |
|------------------|-------------------|

Physical data

| | |
|--------|------------------------|
| Width | 30 mm / 1.181 inches |
| Height | 8.6 mm / 0.327 inches |
| Depth | 18.8 mm / 0.732 inches |

Material data

| | |
|-----------------------------|--------------------------------------------------------------------------|
| Note (material data) | Information on material specifications can be found here |
| Color | transparent |
| Insulation material | Polycarbonate (PC) |
| Flammability class per UL94 | V2 |
| Fire load | 0.089 MJ |
| Actuator color | orange |
| Weight | 4 g |

Environmental requirements

| | |
|----------------------------------|--------|
| Continuous operating temperature | 105 °C |
| Temperature marking per EN 60998 | T85 |

Commercial data

| | |
|-----------------------|---------------------|
| Product Group | 7 (Push Wire Conn.) |
| eCl@ss 10.0 | 27-14-11-04 |
| eCl@ss 9.0 | 27-14-11-04 |
| ETIM 8.0 | EC000446 |
| ETIM 7.0 | EC000446 |
| PU (SPU) | 250 (25) pcs |
| Packaging type | Box |
| Country of origin | DE |
| GTIN | 4055143234658 |
| Customs tariff number | 85369010000 |

Approvals / Certificates

General approvals



| Approval | Standard | Certificate Name |
|-------------------------------------------------|----------|------------------|
| CCA DEKRA Certification B.V. | EN 60998 | NTR NL-7827 |
| ENEC 05 DEKRA Certification B.V. | EN 60998 | 71-113253 REV.1 |
| UL_Listed_64KA UL International Germany GmbH | UL 467 | E201573 |
| UL UL International Germany GmbH | UL 486C | E69654 |

Declarations of conformity and manufacturer's declarations

| Approval | Standard | Certificate Name |
|----------------------------------------------------|----------|------------------|
| EU-Declaration of Conformity WAGO GmbH & Co. KG | - | - |
| UK-Declaration of Conformity WAGO GmbH & Co. KG | - | - |

Approvals for marine applications



| Approval | Standard | Certificate Name |
|-------------------------------------------------------|----------|------------------|
| ABS American Bureau of Ship- ping | - | 18-HG1755093-PDA |
| DNV GL Det Norske Veritas, Ger- manischer Lloyd | EN 60998 | TAE000015T |
| LR Lloyds Register | EN 60998 | LR22207029TA |

Downloads

Environmental Product Compliance

| Compliance Search |
|---------------------------------------------------------------|
| Environmental Product Compliance 221-415 ↓ |

Documentation

| Bid Text | | | |
|----------------------------|------------|------------------|-------------------|
| 221-415 | 19.02.2019 | xml 3.43 KB | ↓ |
| 221-415 | 23.01.2019 | docx 15.31 KB | ↓ |
| ausschreiben.de 221-415 | | | ↓ |

CAD/CAE-Data

| CAD data |
|----------------------------------------|
| 2D/3D Models 221-415 ↓ |

| CAE data |
|------------------------------------------------|
| EPLAN Data Portal 221-415 ↓ |
| ZUKEN Portal 221-415 ↓ |

1 Compatible Products

1.1 Optional Accessories

1.1.1 General accessories

1.1.1.1 Empty housings



Item No.: 207-4301

Junction box; Branch; for multicore cables; 221 Series; max. 4 mm² connectors; without splicing connectors; white

1.1.1.2 Moisture protection



Item No.: 207-1332

Gelbox; Branch; for cables; with gel; 221, 2x73 Series; max. 4 mm² connectors; without splicing connectors; Size 2; gray

1.1.2 Jumper

1.1.2.1 Jumper



Item No.: 221-941/000-006

Jumper; for conductor entry; 2-way; insulated; blue



Item No.: 221-942/000-006

Jumper; for conductor entry; 2-way; insulated; blue



Item No.: 221-941

Jumper; for conductor entry; 2-way; insulated; dark gray



Item No.: 221-942

Jumper; for conductor entry; 2-way; insulated; dark gray

1.1.3 Mounting adapter

1.1.3.1 Mounting accessories



Item No.: 221-500/000-006

Mounting carrier; 221 Series - 4 mm²; for DIN-35 rail mounting/screw mounting; blue



Item No.: 221-500/000-053

Mounting carrier; 221 Series - 4 mm²; for DIN-35 rail mounting/screw mounting; dark gray-yellow



Item No.: 221-500

Mounting carrier; 221 Series - 4 mm²; for DIN-35 rail mounting/screw mounting; orange



Item No.: 221-505/000-004

Mounting carrier; for 5-conductor terminal blocks; 221 Series - 4 mm²; for screw mounting; black



Item No.: 221-505

Mounting carrier; for 5-conductor terminal blocks; 221 Series - 4 mm²; for screw mounting; white



Item No.: 221-515/000-004

Mounting carrier; for 5-conductor terminal blocks; 221 Series - 4 mm²; with snap-in mounting foot for horizontal mounting; black



Item No.: 221-515

Mounting carrier; for 5-conductor terminal blocks; 221 Series - 4 mm²; with snap-in mounting foot for horizontal mounting; white



Item No.: 221-525/000-004

Mounting carrier; for 5-conductor terminal blocks; 221 Series - 4 mm²; with snap-in mounting foot for vertical mounting; black

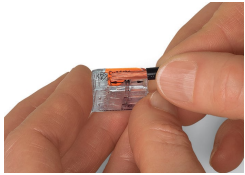


Item No.: 221-525

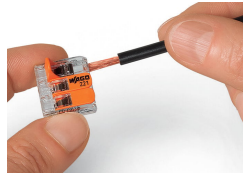
Mounting carrier; for 5-conductor terminal blocks; 221 Series - 4 mm²; with snap-in mounting foot for vertical mounting; white

Installation Notes

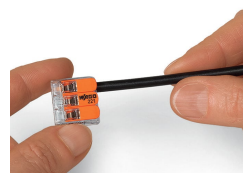
Conductor termination



Strip conductor to 11 mm (0.43 inch).

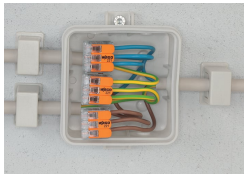


Termination: Lift the lever to open the clamping unit and insert a stripped conductor.



Then, lower the lever to close the clamp.

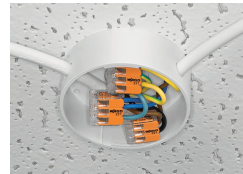
Application



Wiring fine-stranded conductors in junction boxes.



Custom low-voltage lighting system



Lighting distribution in a ceiling canopy



Pendant light connection in a suspended ceiling



COMPACT Splicing Connectors for All Conductor Types (4 mm²), 221 Series



Compact, lever-operated splicing connectors:

Tool-free connection of up to five stripped, fine-stranded conductors from 0.14 ... 4 mm², as well as solid or stranded conductors from 0.2 ... 4 mm² (24 ... 12 AWG).

How they work:

Pull up an orange lever to open the clamping unit. Then insert the conductor and push the lever back down, flush with the connector housing.

Safety:

The lever's specially designed rest position reliably prevents accidental unclamping of a connected conductor.

Application safety, for any type of conductor (solid, stranded, fine-stranded), is confirmed by approvals like ENEC or UL.