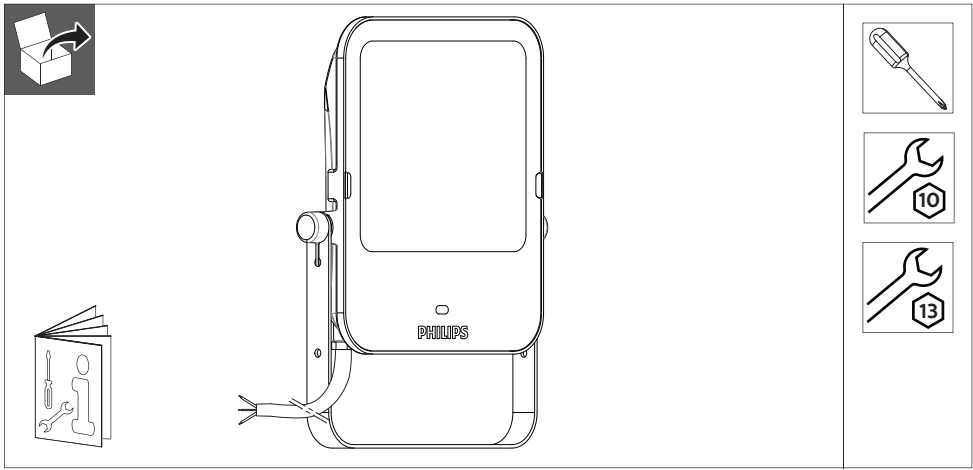


# PHILIPS

## LED Floodlight

### BVP154



	Flux (lm)	Power (W)	Beam	m <sup>2</sup>	kg
BVP154 LED10/830 PSU 10W VWB MDU CE	1000	10	100°~120°	0.018	0.63
BVP154 LED20/830 PSU 20W VWB MDU CE	2000	20		0.018	0.63
BVP154 LED50/830 PSU 50W VWB MDU CE	5000	50		0.048	1.44
BVP154 LED10/840 PSU 10W VWB MDU CE	1050	10		0.018	0.63
BVP154 LED21/840 PSU 20W VWB MDU CE	2100	20		0.018	0.63
BVP154 LED52/840 PSU 50W VWB MDU CE	5250	50		0.048	1.44

10W/20W without buckle  
50W with buckle

The exposed wire length : 10/20/50W 1000mm

Dimensions in mm			
	10 W	20 W	50 W
A	123.4	123.4	202.4
B	189.2	189.2	309
C	35	35	38
D	147.4	147.4	241.4
E	6.4	6.4	8.4
F	6.4	6.4	8.4
G	149.6	149.6	235
H	60	60	104
I	72	72	124

0°~340°

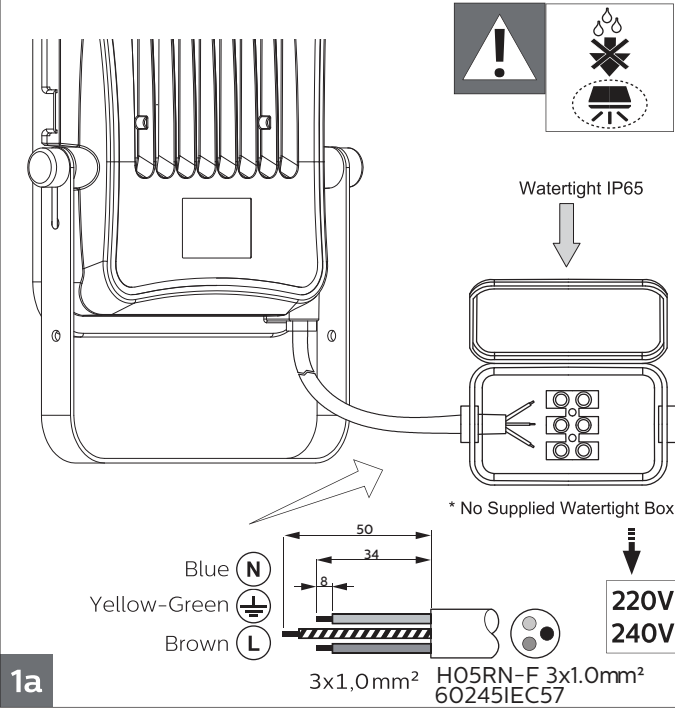
1.5m 8m 7m 2.5m



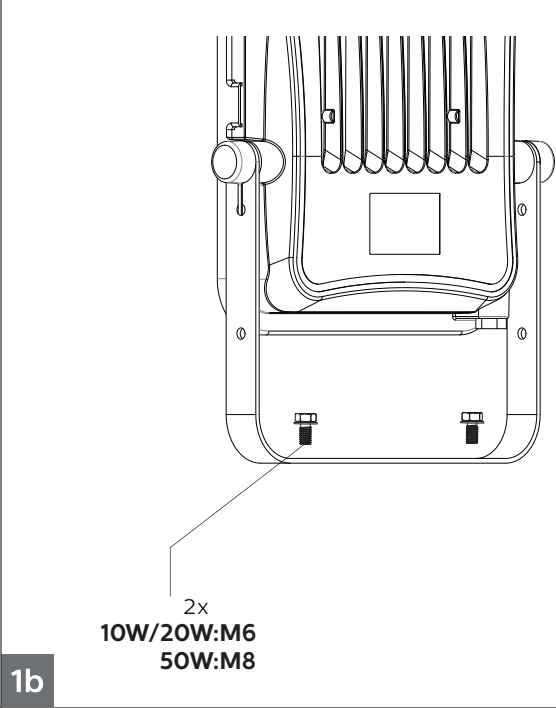
Install the luminaire according to the national regulations.



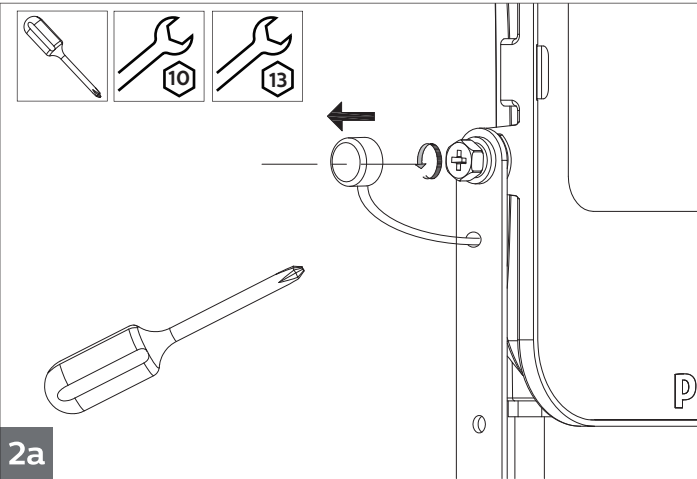
If the luminaire is higher >3 m, the use of 2nd fixing security system is needed.



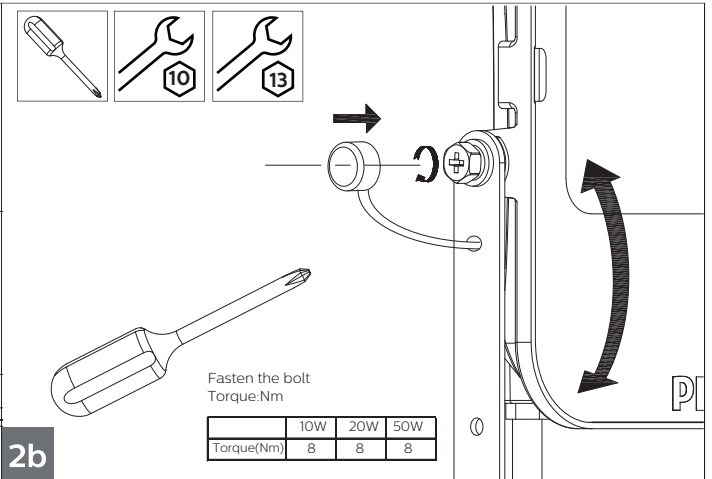
1a



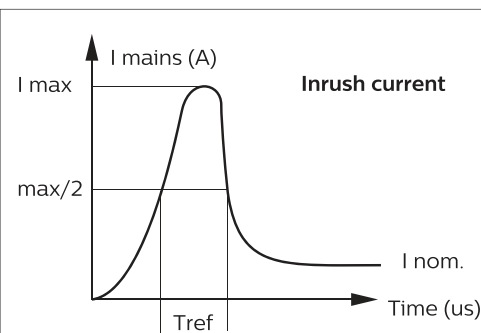
1b



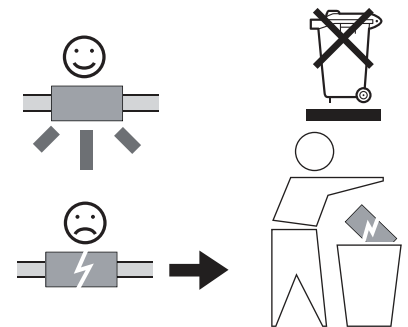
2a



2b

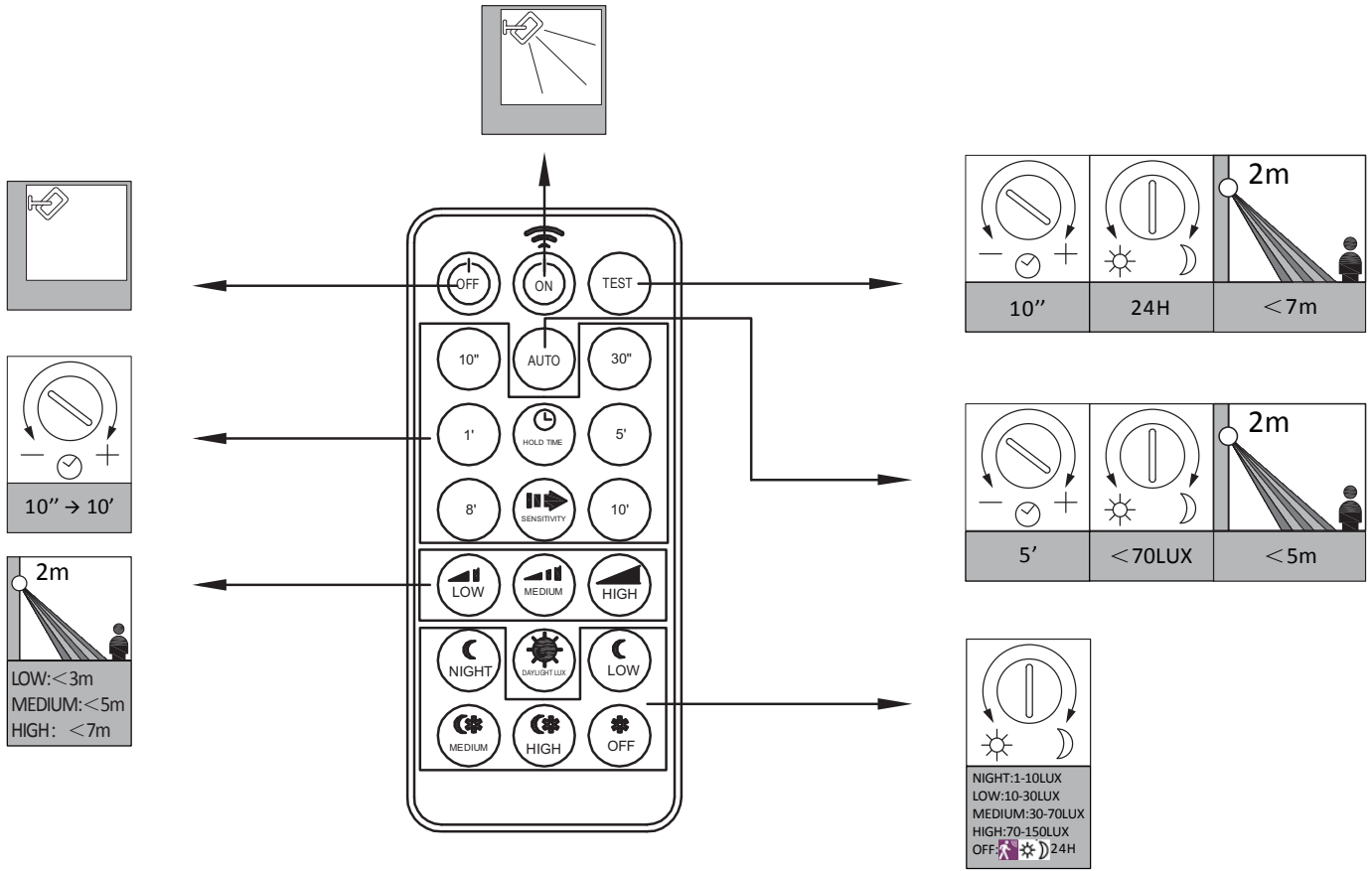


	10W	20W	50W
Electrical characteristics			
I <sub>max</sub> (A)	0.54	0.64	0.90
T <sub>ref</sub> (μs)	5.40	6.90	10.88
MCB	Floodlight Max.		
B-10 A	137	68	29
B-16 A	220	110	47
C-10 A	160	80	34
C-16 A	257	128	54



- The luminaire shall be installed or maintained by a qualified electrician and wired in accordance with the latest IEE electrical regulations or the national requirements.
- The external flexible cable or cord of this luminaire cannot be replaced; if the cord is damaged, the luminaire shall be destroyed.
- The light source of this luminaire is not replaceable; when the light source reaches its end of life the whole luminaire shall be replaced.
- Luminaire must not be used or stored in corrosive environment where hazardous materials such as sulphur, chlorine, phthalates, etc. are present.

# Description of remote control keys



Example for 30" 4m 30-70LUX:

