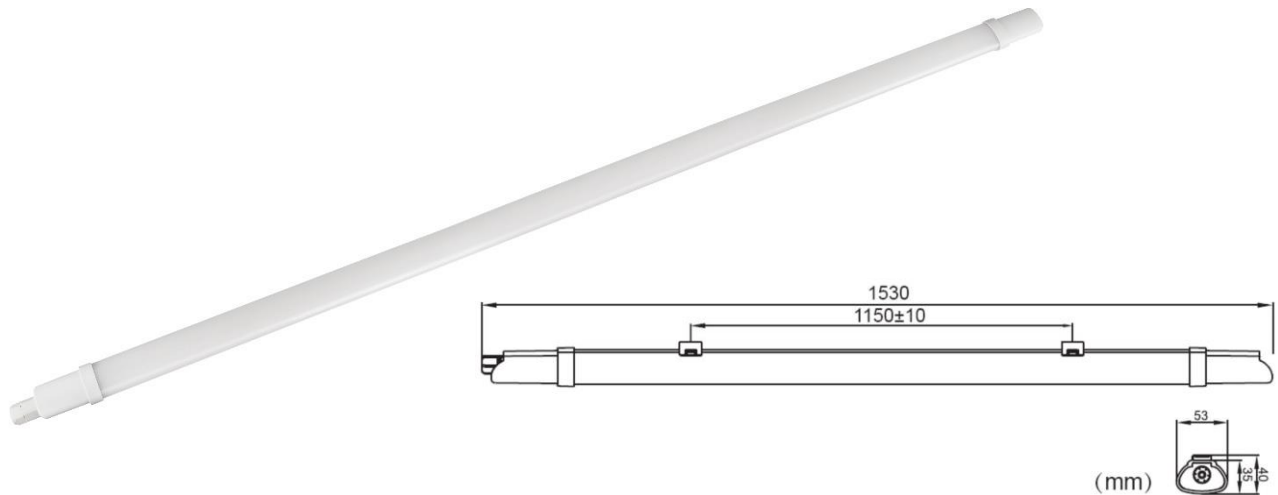


WARNING
CAUTION FOR ELECTRIC SHOCK/RISK OF BURN/PROPER INSTALLATION
■ Non-professionals are not allowed to operate. Shut off the power before maintenance.

LED-OH-45NW

IP65 LED armature



Technical specification and light distribution

| | |
|----------------------------------|----------------------------------|
| Input Voltage | 90-264 ACV 50Hz/60Hz |
| Input Power | 45w ± 2% |
| LED chips | Epistar SMD |
| CRI | >80Ra |
| Lumens | 4300lm |
| Color Temp | 4000k Natural White |
| Power supply | Built in |
| Working Temp | -20 to +50 degree C° |
| Input Power Factor | 0.95 |
| Input Effective Current | Min 0.1 Max 0.15 |
| Input Power | Min 9.5 Max 11.5 |
| Harmonic Distortion | 20% |
| MTBF L70 | ≥50 000H |
| Heat Sink | Max less than 70°c |
| Weight | 0.7 KG |
| Temp Power Drift | 10% |
| Lighting On/Off Lamp time | 100ms |
| Beam Angle | 120° |
| H.V Test | 3000VAC<5mA 60s L,N--GND |
| Insulation Resistance | 1000VDC>10M Primary-subprime |
| Leakage Current | 264VAC/50Hz/60Hz <3.5mA L,N--GND |
| Housing material | PC+PC |
| Protection grade | IP65 |
| Warranty Time | 2 years |

