



# Coreline tempo small

## BVP110 LED42/NW S

Coreline tempo small, 4200 lumen, 38 W, 4000 K

CoreLine tempo small is a highly-efficient range of luminaires designed for 1:1 retrofit replacement of conventional floodlighting technology, while retaining the same electrical installation and poles. This urban lighting range is designed for the direct replacement of 70W HID lamps, but uses less energy and requires less investment than conventional installations. A narrow range of options makes it easy to find the best lux-for-lux replacement for your project lighting.

### Product data

| General Information       |  |
|---------------------------|--|
| Lighting Technology       | LED  |
| Driver included           | Yes  |
| Remarks                   | *-Per Lighting Europe guidance paper "Evaluating performance of LED based luminaires - January 2018": statistically there is no relevant difference in lumen maintenance between B50 and for example B10. Therefore, the median useful life (B50) value also represents the B10 value. |
| Number of gear units      | 1 unit   |
| Lamp family code          | LED42 [LED module 4200 lm]   |
| Light source engine type  | LED  |
| Value ladder              | Performance  |
| Light source replaceable  | No   |
| Light Technical           |  |
| Upward light output ratio | 88   |
| Luminous Flux             | 4,200 lumen  |

| Standard tilt angle posttop        | 0°            |
|------------------------------------|---------------|
| Standard tilt angle side entry     | 0°            |
| Correlated Color Temperature (Nom) | 4000 K        |
| Luminous Efficacy (rated) (Nom)    | 111 lm/W      |
| Color rendering index (CRI)        | 80            |
| Number of light sources            | 40            |
| Light source color                 | Neutral white |
| Optical cover/lens type            | Flat glass    |
| Luminaire light beam spread        | 92° x 91°     |
| Optic type outdoor                 | Symmetrical   |
| Operating and Electrical           |               |
| Input Voltage                      | 220 to 240 V  |
| Line Frequency                     | 50 to 60 Hz   |
| Input Frequency                    | 50 to 60 Hz   |
| Inrush current                     | 5 A           |
| Inrush time                        | 0.06 ms       |
| Power Consumption                  | 38 W          |
| Power Factor (Fraction)            | 0.98          |

# Coreline tempo small

|  |  |
|--|--|
| Connection                               | External connector   |
| Cable                                    | Cable 0.5 m with cable connector   |
| Number of products on MCB of 16 A type B | 95   |
| <b>Temperature</b>                       |  |
| Ambient temperature range                | -40 to +35 °C  |
| <b>Controls and Dimming</b>              |  |
| Dimmable                                 | No   |
| Driver/power unit/transformer            | Power supply unit (On/Off)   |
| Control interface                        | -  |
| Constant light output                    | No   |
| <b>Mechanical and Housing</b>            |  |
| Housing Material                         | Aluminum die cast  |
| Reflector material                       | Acrylate   |
| Optic material                           | Acrylate   |
| Optical cover/lens material              | Glass  |
| Fixation material                        | Aluminum   |
| Housing Color                            | Aluminum and gray  |
| Mounting device                          | Mounting bracket adjustable  |
| Optical cover/lens shape                 | Flat   |
| Optical cover/lens finish                | Clear  |
| Overall length                           | 285 mm   |
| Overall width                            | 254 mm   |
| Overall height                           | 52 mm  |
| Effective projected area                 | 0.052 m <sup>2</sup>   |
| Dimensions (Height x Width x Depth)      | 52 x 254 x 285 mm  |
| <b>Approval and Application</b>          |  |
| Ingress protection code                  | IP65 [Dust penetration-protected, jet-proof]   |
| Mech. impact protection code             | IK08 [5 J vandal-protected]  |
| Surge Protection (Common/Differential)   | Luminaire surge protection level until 10 kV differential mode and 10 kV common mode |
| Protection class IEC                     | Safety class I   |

|                      |  |
|----------------------|--|
| Glow-wire test       | Temperature 650 °C, duration 30 s              |
| Flammability mark    | For mounting on normally flammable surfaces    |
| CE mark              | CE mark  |
| ENEC mark            | -  |
| Warranty period      | 5 years  |
| Photobiological risk | Photobiological risk group 1 @200mm to EN62778 |
| EU RoHS compliant    | Yes  |

## Initial Performance (IEC Compliant)

|                             |                        |
|-----------------------------|------------------------|
| Luminous flux tolerance     | +/-10%                 |
| Initial chromaticity        | (0.374, 0.369) SDCM <5 |
| Power consumption tolerance | +/-10%                 |

## Over Time Performance (IEC Compliant)

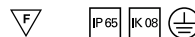
|   |       |
|---|-------|
| Control gear failure rate at median useful life 75000 h | 7.5 % |
| Lumen maintenance at median useful life* 75000 h        | L80   |

## Application Conditions

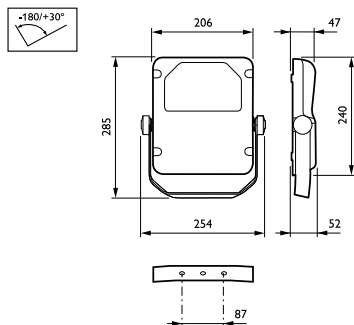
|                                    |       |
|------------------------------------|-------|
| Performance ambient temperature Tq | 25 °C |
|------------------------------------|-------|

## Product Data

|                                 |                   |
|---------------------------------|-------------------|
| Full product code               | 871016330636000   |
| Order product name              | BVP110 LED42/NW S |
| Order code                      | 911401555331      |
| Numerator - Quantity Per Pack   | 1                 |
| Numerator - Packs per outer box | 1                 |
| Material number (12NC)          | 911401555331      |
| Full product name               | BVP110 LED42/NW S |
| EAN/UPC - Case                  | 8710163306360     |



## Dimensional drawing



## Coreline tempo small

