



Coreline tempo small

BVP110 LED42/NW A

Coreline tempo small, 4200 lumen, 38 W, 4000 K

CoreLine tempo small is a highly-efficient range of luminaires designed for 1:1 retrofit replacement of conventional floodlighting technology, while retaining the same electrical installation and poles. This urban lighting range is designed for the direct replacement of 70W HID lamps, but uses less energy and requires less investment than conventional installations. A narrow range of options makes it easy to find the best lux-for-lux replacement for your project lighting.

Product data

General Information	
Lighting Technology	LED
Driver included	Yes
Remarks	*-Per Lighting Europe guidance paper "Evaluating performance of LED based luminaires - January 2018": statistically there is no relevant difference in lumen maintenance between B50 and for example B10. Therefore, the median useful life (B50) value also represents the B10 value.
Number of gear units	1 unit
Service tag	Yes
Lamp family code	LED42 [LED module 4200 lm]
Light source engine type	LED
Value ladder	Performance
Light source replaceable	No
Light Technical	
Upward light output ratio	88

Luminous Flux	4,200 lumen
Standard tilt angle posttop	0°
Standard tilt angle side entry	0°
Correlated Color Temperature (Nom)	4000 K
Luminous Efficacy (rated) (Nom)	111 lm/W
Color rendering index (CRI)	80
Number of light sources	40
Light source color	Neutral white
Optical cover/lens type	Flat glass
Luminaire light beam spread	39° x 96°
Optic type outdoor	Asymmetrical
Operating and Electrical	
Input Voltage	220 to 240 V
Line Frequency	50 to 60 Hz
Input Frequency	50 to 60 Hz
Inrush current	5 A
Inrush time	0.06 ms
Power Consumption	38 W

Coreline tempo small

Power Factor (Fraction)	0.98
Connection	External connector
Cable	Cable 0.5 m with cable connector
Number of products on MCB of 16 A type B	95

Temperature

Ambient temperature range	-40 to +35 °C
---------------------------	---------------

Controls and Dimming

Dimmable	No
Driver/power unit/transformer	Power supply unit (On/Off)
Control interface	-
Constant light output	No

Mechanical and Housing

Housing Material	Aluminum die cast
Reflector material	Acrylate
Optic material	Acrylate
Optical cover/lens material	Glass
Fixation material	Aluminum
Housing Color	Aluminum and gray
Mounting device	Mounting bracket adjustable
Optical cover/lens shape	Flat
Optical cover/lens finish	Clear
Overall length	285 mm
Overall width	254 mm
Overall height	52 mm
Effective projected area	0.052 m ²
Dimensions (Height x Width x Depth)	52 x 254 x 285 mm

Approval and Application

Ingress protection code	IP65 [Dust penetration-protected, jet-proof]
Mech. impact protection code	IK08 [5 J vandal-protected]
Surge Protection (Common/Differential)	Luminaire surge protection level until 10 kV differential mode and 10 kV common mode
Protection class IEC	Safety class I

Glow-wire test	Temperature 650 °C, duration 30 s
Flammability mark	For mounting on normally flammable surfaces
CE mark	CE mark
ENEC mark	-
Warranty period	5 years
Photobiological risk	Photobiological risk group 1 @200mm to EN62778
EU RoHS compliant	Yes

Initial Performance (IEC Compliant)

Luminous flux tolerance	+/-10%
Initial chromaticity	(0.374, 0.369) SDCM <5
Power consumption tolerance	+/-10%

Over Time Performance (IEC Compliant)

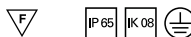
Control gear failure rate at median useful life 75000 h	7.5 %
Lumen maintenance at median useful life* 75000 h	L80

Application Conditions

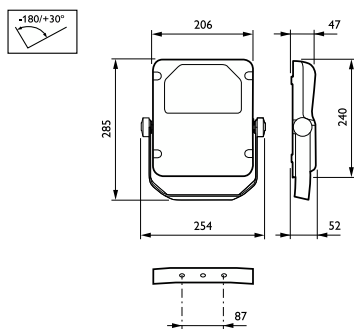
Performance ambient temperature Tq	25 °C
------------------------------------	-------

Product Data

Full product code	871016330635300
Order product name	BVP110 LED42/NW A
Order code	911401555231
Numerator - Quantity Per Pack	1
Numerator - Packs per outer box	1
Material number (12NC)	911401555231
Full product name	BVP110 LED42/NW A
EAN/UPC - Case	8710163306353



Dimensional drawing



Coreline tempo small

