



Ledinaire Wall-mounted WL070V

WL070V LED17S/830 PSU II WH

Power supply unit - Symmetrical - 120° x 120°

Public spaces and circulation areas demand the most reliable lighting solutions - especially parking garages, offices, entrances, hallways, corridors, and staircases. With Philips Ledinaire, you get superb reliability and more. This popular range features a selection of essential LED luminaires that you can choose off the shelf. Like our modern, Ledinaire wall-mounted WL070V model that's suitable for a wide range of general lighting applications. And just like the rest of the Ledinaire range, it's designed with Philips high quality standards at a very competitive price. An affordable, reliable, and energy-efficient choice for wall mounting, from the leading name in LED.

Warnings and Safety

- The Ledinaire wall-mounted WL070V model can be operated outdoors, but only when all its cables are run inside a building, with a maximum distance of 10 meters.
- For MDU (Motion Detection Unit) versions:
- Sensor coverage may vary between indoor and outdoor applications.
- Strong wind and rain may trigger the sensor if there are no surroundings such as walls, roof etc.
- Any vibration or movement may trigger the sensor. Ensure the sensor is at a suitable distance from any such continuous signal.

Product data

General information		Driver/power unit/transformer	Power supply unit
Beam angle of light source	120 °	Driver included	Yes
Light source color	830 warm white	Optic type	Symmetrical
Light source replaceable	No	Luminaire light beam spread	120° x 120°
Number of gear units	1 unit	Control interface	-

Ledinaire Wall-mounted WL070V

Connection	Push-in connector 3-pole
Cable	-
Protection class IEC	Safety class II
Glow-wire test	Temperature 850 °C, duration 30 s
Flammability mark	For mounting on normally flammable surfaces
CE mark	Yes
ENEC mark	-
Warranty period	3 years
Constant light output	No
Number of products on MCB of 16 A type B	32
Photobiological risk	Photobiological risk group 0 @200mm to EN62778
EU RoHS compliant	Yes
Unified glare rating CEN	22

Operating and electrical

Input Voltage	220 to 240 V
Input Frequency	50 or 60 Hz
Initial CLO power consumption	17 W
Average CLO power consumption	- W
Inrush current	20 A
Inrush time	0.04 ms
Power Factor (Min)	0.9

Controls and dimming

Dimmable	No
----------	----

Mechanical and housing

Housing Material	Polycarbonate
Reflector material	-
Optic material	Polycarbonate
Optical cover/lens material	Polycarbonate
Fixation material	-
Optical cover/lens finish	Opal
Overall height	64 mm
Overall diameter	285 mm
Color	White RAL 9003
Dimensions (Height x Width x Depth)	64 x NaN x NaN mm

Approval and application

Ingress protection code	IP65 [Dust penetration-protected, jet-proof]
Mech. impact protection code	IK08 [5 J vandal-protected]
Sustainability rating	-

Initial performance (IEC compliant)

Initial luminous flux (system flux)	1700 lm
Luminous flux tolerance	+/-10%
Initial LED luminaire efficacy	95 lm/W
Init. Corr. Color Temperature	3000 K
Init. Color Rendering Index	>80
Initial chromaticity	(0.4338, 0.4030)SDCM ≤5
Initial input power	17 W
Power consumption tolerance	+/-10%

Over time performance (IEC compliant)

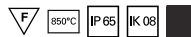
Control gear failure rate at median useful life	2.5 %
50000 h	
Lumen maintenance at median useful life*	L70
50000 h	

Application conditions

Ambient temperature range	-20 to +40 °C
Performance ambient temperature Tq	25 °C
Maximum dim level	Not applicable
Suitable for random switching	Not applicable

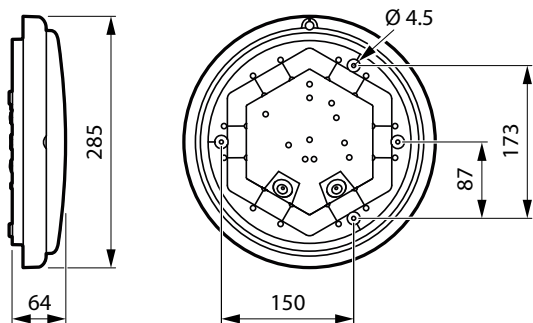
Product data

Full product code	871951452268899
Order product name	WL070V LED175/830 PSU II WH
EAN/UPC - Product	8719514522688
Order code	911401826582
Numerator - Quantity Per Pack	1
Numerator - Packs per outer box	6
Material Nr. (12NC)	911401826582
Net Weight (Piece)	0.780 kg



Ledinaire Wall-mounted WL070V

Dimensional drawing



WL070V LED17S/830 PSU II WH

