

4 MODULAR 3F-ESH-TRA

THREE PHASE FOUR WIRE DIN RAIL ENERGY METER external current transformer type

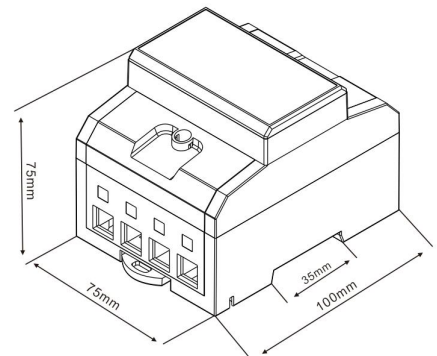
INTRODUCTION

Modular DIN Rail Products offer a wide range of functions to be integrated in electrical installations with significant benefits for the user, we have complete range of DIN-mounted electricity Meters together with communication options. It is designed for high level performance and are safe and fast to install.

The meters are available in several configurations to suite different applications, with the increasing energy cost, measuring of the electricity consumption is getting more and more important, If you can identify where you have used you are one step closer to reducing your energy cost, Now start to make energy usage smarter.

FUNCTIONS

- ◆ Meter case: ABS + PC anti flaming, environment friendly material
- ◆ Dimension: 75mm width, 100mm length, 75mm height
- ◆ Display: LCD display 6+1 digits
- ◆ Front panel four LEDs, ABC for voltage induction, and impulse
- ◆ Standard configuration pulse output passive (polarity)
- ◆ Forward active energy and reverse active energy measurement
- ◆ Directly connect Maximum Current 100A
- ◆ Approved by international standard IEC62052-11, IEC62053-21



TECHNICAL PARAMETERS

Model NO.	3F-ESH-TRA
Accuracy	Class 1
Installation	35mm Din Rail Mounted
Rated voltage (3P4W)	3x230/400V
voltage range	0.8 ~ 1.2Un
Rated current	1.5(6)A, 10(100)A
Operation current range	0.05Ib ~ Imax
Starting current	0.4%Ib
Rated frequency	50 / 60Hz
Power consumption	1W / 8VA per phase
Impulse constant	400imp/kWh
Relative humidity	≤ 85%
Operation temperature	-25°C ~ +55°C
Insulation capabilities	AC voltage withstand 4kV for 1 minute Impulse voltage withstand 6kV - 1.2/50μs waveform

WIRING DIAGRAM

