



Single Phase 1 Module Din Rail Energy Meter

1. Introduction

Modular DIN Rail Products offer a wide range of functions to be integrated in electrical installations with significant benefits for the user, complete range of DIN-mounted electricity Meters together with communication options. It is designed for high level performance, safe and convenient to install.

2. Technical Parameters

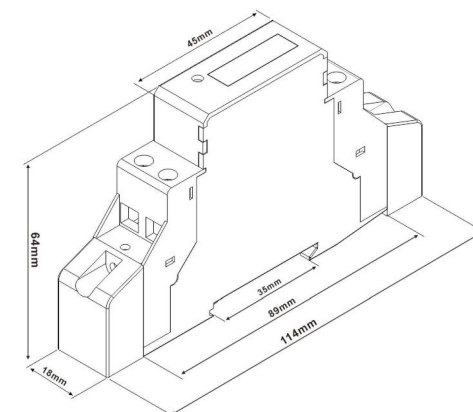
| Model No. | 1F-ES-LCD |
|---------------------|-----------------------------------|
| Casing | PC Anti Flaming material |
| Rated Voltage | 230V |
| Operational Voltage | 195~253VAC |
| Basic Current | 5A |
| Max Current | 50A |
| Accuracy | Class 1.0 |
| Impulse constant | 2000imp/kWh |
| Frequency | 50 - 60Hz |
| Certificate | CE |
| Standard | IEC62052-11 ; IEC62053-21 |
| Display | LCD 6+1 = 999999.9 |
| Power consumption | ≤8VA ≤0.4W |
| Starting current | 0.004Ib |
| Measurement | Active Energy Consumption (kWh) |

3. Basic Error

| | | |
|--------------------------|-------------------|-------|
| 0.05Ib | $\cos\phi = 1$ | ±1.5% |
| 0.1Ib | $\cos\phi = 0.5L$ | ±1.5% |
| 0.1Ib | $\cos\phi = 0.8C$ | ±1.5% |
| 0.1Ib - I _{max} | $\cos\phi = 1$ | ±1.0% |
| 0.2Ib - I _{max} | $\cos\phi = 0.5L$ | ±1.0% |
| 0.2Ib - I _{max} | $\cos\phi = 0.8C$ | ±1.0% |

4. Dimension

| | |
|---------------------------------|--------|
| Height without protection cover | 90mm |
| Height | 114mm |
| Width | 18mm |
| Depth | 64mm |
| Net weight | 0.09kg |



5. Guarantee

Within 18 months since the delivery date, if it's found that the product does not conform with standards, it would be repaired or replaced free on the condition that the customers operate according to the instruction manual and the seal is intact.

6. Wiring diagram

| | |
|----|------------------|
| 1 | Phase line In |
| 4 | Phase line Out |
| N | Neutral line |
| 10 | Impulse output + |
| 11 | Impulse output - |



7. Installation

- The device shall be installed on a 35mm DIN rail.
- The meter has to be installed in a well-ventilated and dry place.
- The meter has to be installed in a protective box if the meter is exposed to dust or other contaminants.
- The meter should be installed on a location where the meter can be read easily.
- In case the meter is installed in an area with frequent surges f or example due to thunderstorms the meter is required to be protected by Surge Protection Device.

Attention:

No warranty if case is opened or warranty seal is removed.

