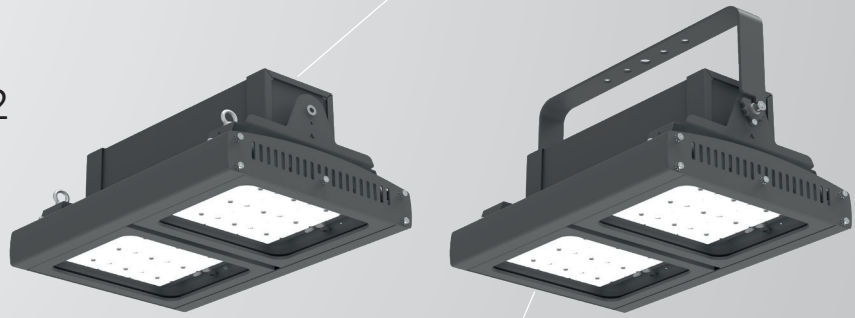
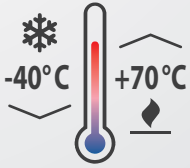


Standard equipment - stainless steel bracket

# BERGER-N-LED

IP66 /  $\text{Ex}$  ZONE 2/21, 22



Adjustable bracket on request only



FTZÚ 22 ATEX 0108X

FTZÚ 22 ATEX 0107X

**Application:** Robust explosion-proof **HIGH-BAY LED luminaire** designed for lighting of hazardous areas **ATEX ZONE 2/21, 22**. Housing made of extremely durable aluminium (RAL7043). Cover made of clear tempered safety glass. Optic system inside guarantees various lumen curves for different applications. High quality electronic components guarantee **high efficiency up to 179 lm/W and extremely long lifetime 100 000 h even at high temperatures**. **Modular system** allows to choose the luminous output according to project needs. **Dust and water proof with a rating IP66**. It can be operated at temperatures **from -40°C to +70°C**. Excellent heat dissipation due to additional cooling of each luminaire modul. For suspended or surface mounting. Adjustable bracket allows a wide variety of applications.

**Ballast:** EP – electronic - 220-240 V, 50/60 Hz

**Light source:** LED, 4000 K, CRI +80, MacAdam3

**Housing:** Aluminium profile RAL 7043

**Diffuser:** Clear tempered safety glass

**Fastening:** Suspended by means of brackets or surface mounted by means of adjustable bracket. **Adjustable bracket on request only.**

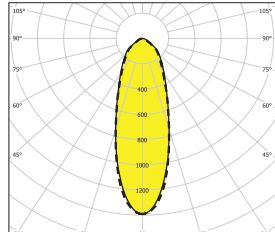
**Connection:** By means of 2 m cable. FROST/T40/T50/T60 versions are as standard equipped with plastic cable gland, T70 version is standardly equipped with metal cable gland

**Standard equipment:** 4x stainless steel suspending M5 bracket, 2 m cable (3x1,5 mm<sup>2</sup>)

**Calculated life time of LED modules:** L90B50 Ta25 – 50 000 h; L80B50 Ta25 – 150 000 h; L70B50 Ta70 – 100 000 h

**30** – optics with radiant angle 30°

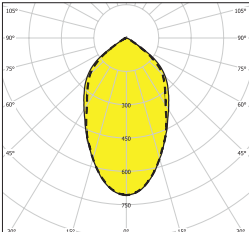
BERGER-N-LED-30



— C0-C180    - - - C90-C270

**60** – optics with radiant angle 60°

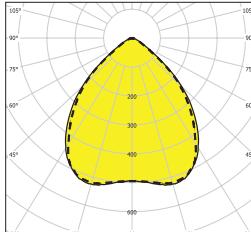
BERGER-N-LED-60



— C0-C180    - - - C90-C270

**90** – optics with radiant angle 90°

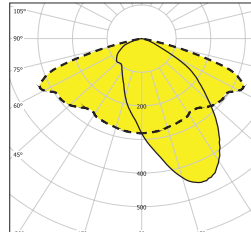
BERGER-N-LED-90



— C0-C180    - - - C90-C270

**AS** – asymmetric optics 90°

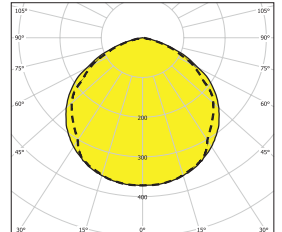
BERGER-N-LED-AS



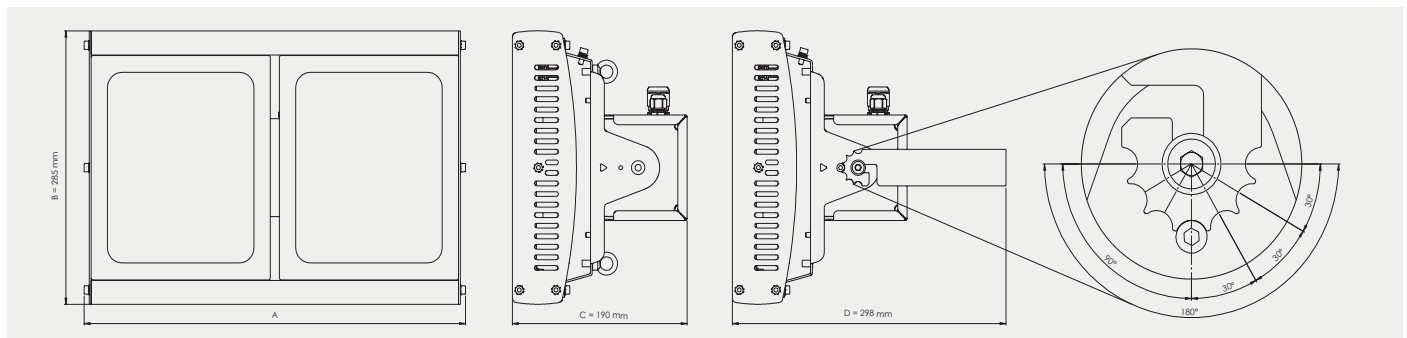
— C0-C180    - - - C90-C270

**WO** – without optics

BERGER-N-LED-WO



— C0-C180    - - - C90-C270



## ADVANTAGES:

- Extreme high led lifetime L70B50 Ta70 - 100 000 h even at high temperatures
- Made in Europe - Czech Republic origin
- ATEX certification ZONE 2/21, 22
- Robust housing
- High efficiency up to 179 lm/W
- Luminous flux versions from 8 000 up to 43 000 lm
- Option of adjustable installation
- Variability of declared ambient temperatures

## BERGER-N-LED ZONE 2/21 (FTZÚ 22 ATEX 0107X)

Ⓜ II 3G Ex nR IIC T6...T5 Gc

Ⓜ II 2D Ex tb op is IIIC T85°C Db

## BERGER-N-LED ZONE 2/22 (FTZÚ 22 ATEX 0108X)

Ⓜ II 3G Ex nR IIC T6...T5 Gc

Ⓜ II 3D Ex tc IIIC T85°C Dc

## TYPICAL APPLICATION:



Factory



Oil & gas



Petrochemical



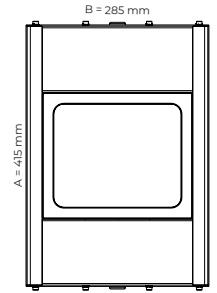
Oil refinery



Power plants

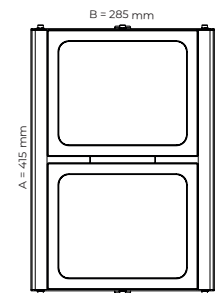
Order number	Name	Lighting fixture luminous flux (lm)	Power input (W)	Rated power output (lm/W)	Ta (°C)	Dimensions of lighting fixture A x B x C (mm)	T-class	Nr. LED modules	Weight (Kg)
<b>Ta 50°C</b>									
080848	BERGER-N-LED-2,21-T50-30-12200-4K-1M, IP66	10031	69	145	-20°C/50°C	415x285x190	T6	1	8,5
080800	BERGER-N-LED-2,21-T50-60-12200-4K-1M, IP66	10767	69	156	-20°C/50°C	415x285x190	T6	1	8,5
080801	BERGER-N-LED-2,21-T50-90-12200-4K-1M, IP66	10922	69	158	-20°C/50°C	415x285x190	T6	1	8,5
080849	BERGER-N-LED-2,21-T50-AS-12200-4K-1M, IP66	9700	69	141	-20°C/50°C	415x285x190	T6	1	8,5
080802	BERGER-N-LED-2,21-T50-WO-12200-4K-1M, IP66	10566	69	153	-20°C/50°C	415x285x190	T6	1	8,5
<b>Ta 60°C</b>									
080856	BERGER-N-LED-2,21-T60-30-9900-4K-1M, IP66	8220	54	152	-20°C/60°C	415x285x190	T5	1	8,5
080812	BERGER-N-LED-2,21-T60-60-9900-4K-1M, IP66	8799	54	163	-20°C/60°C	415x285x190	T5	1	8,5
080813	BERGER-N-LED-2,21-T60-90-9900-4K-1M, IP66	8933	54	165	-20°C/60°C	415x285x190	T5	1	8,5
080857	BERGER-N-LED-2,21-T60-AS-9900-4K-1M, IP66	7948	54	147	-20°C/60°C	415x285x190	T5	1	8,5
080814	BERGER-N-LED-2,21-T60-WO-9900-4K-1M, IP66	8622	54	160	-20°C/60°C	415x285x190	T5	1	8,5
<b>Ta 70°C</b>									
080864	BERGER-N-LED-2,21-T70-30-6350-4K-1M, IP66	5298	33	161	-20°C/70°C	415x285x190	T5	1	8,5
080824	BERGER-N-LED-2,21-T70-60-6350-4K-1M, IP66	5666	33	172	-20°C/70°C	415x285x190	T5	1	8,5
080825	BERGER-N-LED-2,21-T70-90-6350-4K-1M, IP66	5764	33	175	-20°C/70°C	415x285x190	T5	1	8,5
080865	BERGER-N-LED-2,21-T70-AS-6350-4K-1M, IP66	5130	33	155	-20°C/70°C	415x285x190	T5	1	8,5
080826	BERGER-N-LED-2,21-T70-WO-6350-4K-1M, IP66	5580	33	169	-20°C/70°C	415x285x190	T5	1	8,5
<b>Ta -40°C</b>									
080872	BERGER-N-LED-2,21-FROST-30-9900-4K-1M, IP66	8220	54	152	-40°C/50°C	415x285x190	T6	1	8,5
080836	BERGER-N-LED-2,21-FROST-60-9900-4K-1M, IP66	8799	54	163	-40°C/50°C	415x285x190	T6	1	8,5
080837	BERGER-N-LED-2,21-FROST-90-9900-4K-1M, IP66	8933	54	165	-40°C/50°C	415x285x190	T6	1	8,5
080873	BERGER-N-LED-2,21-FROST-AS-9900-4K-1M, IP66	7948	54	147	-40°C/50°C	415x285x190	T6	1	8,5
080838	BERGER-N-LED-2,21-FROST-WO-9900-4K-1M, IP66	8622	54	160	-40°C/50°C	415x285x190	T6	1	8,5

1M - 1 module



Order number	Name	Lighting fixture luminous flux (lm)	Power input (W)	Rated power output (lm/W)	Ta (°C)	Dimensions of lighting fixture A x B x C (mm)	T-class	Nr. LED modules	Weight (Kg)
<b>Ta 50°C</b>									
080850	BERGER-N-LED-2,21-T50-30-24400-4K-2M, IP66	20061	136	148	-20°C/50°C	415x285x190	T6	2	11
080803	BERGER-N-LED-2,21-T50-60-24400-4K-2M, IP66	21534	136	158	-20°C/50°C	415x285x190	T6	2	11
080804	BERGER-N-LED-2,21-T50-90-24400-4K-2M, IP66	21844	136	161	-20°C/50°C	415x285x190	T6	2	11
080851	BERGER-N-LED-2,21-T50-AS-24400-4K-2M, IP66	19399	136	143	-20°C/50°C	415x285x190	T6	2	11
080805	BERGER-N-LED-2,21-T50-WO-24400-4K-2M, IP66	21132	136	155	-20°C/50°C	415x285x190	T6	2	11
<b>Ta 60°C</b>									
080858	BERGER-N-LED-2,21-T60-30-19800-4K-2M, IP66	16439	107	154	-20°C/60°C	415x285x190	T5	2	11
080815	BERGER-N-LED-2,21-T60-60-19800-4K-2M, IP66	17597	107	164	-20°C/60°C	415x285x190	T5	2	11
080816	BERGER-N-LED-2,21-T60-90-19800-4K-2M, IP66	17866	107	167	-20°C/60°C	415x285x190	T5	2	11
080859	BERGER-N-LED-2,21-T60-AS-19800-4K-2M, IP66	15895	107	149	-20°C/60°C	415x285x190	T5	2	11
080817	BERGER-N-LED-2,21-T60-WO-19800-4K-2M, IP66	17243	107	161	-20°C/60°C	415x285x190	T5	2	11
<b>Ta 70°C</b>									
080866	BERGER-N-LED-2,21-T70-30-12700-4K-2M, IP66	10595	67	158	-20°C/70°C	415x285x190	T5	2	11
080827	BERGER-N-LED-2,21-T70-60-12700-4K-2M, IP66	11331	67	169	-20°C/70°C	415x285x190	T5	2	11
080828	BERGER-N-LED-2,21-T70-90-12700-4K-2M, IP66	11528	67	172	-20°C/70°C	415x285x190	T5	2	11
080867	BERGER-N-LED-2,21-T70-AS-12700-4K-2M, IP66	10259	67	153	-20°C/70°C	415x285x190	T5	2	11
080829	BERGER-N-LED-2,21-T70-WO-12700-4K-2M, IP66	11160	67	167	-20°C/70°C	415x285x190	T5	2	11
<b>Ta -40°C</b>									
080874	BERGER-N-LED-2,21-FROST-30-19800-4K-2M, IP66	16439	107	154	-40°C/50°C	415x285x190	T6	2	11
080839	BERGER-N-LED-2,21-FROST-60-19800-4K-2M, IP66	17597	107	164	-40°C/50°C	415x285x190	T6	2	11
080840	BERGER-N-LED-2,21-FROST-90-19800-4K-2M, IP66	17866	107	167	-40°C/50°C	415x285x190	T6	2	11
080875	BERGER-N-LED-2,21-FROST-AS-19800-4K-2M, IP66	15895	107	149	-40°C/50°C	415x285x190	T6	2	11
080841	BERGER-N-LED-2,21-FROST-WO-19800-4K-2M, IP66	17243	107	161	-40°C/50°C	415x285x190	T6	2	11

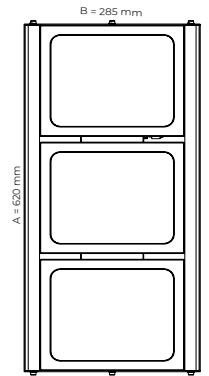
2M - 2 modules



Tolerance of luminous flux and power input of the lighting fixture +/- 10%

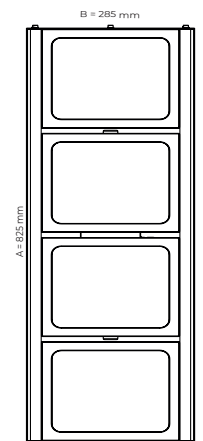
Order number	Name	Lighting fixture luminous flux (lm)	Power input (W)	Rated power output (lm/W)	Ta (°C)	Dimensions of lighting fixture A x B x C (mm)	T-class	Nr. LED modules	Weight (Kg)
<b>Ta 50°C</b>									
080852	BERGER-N-LED-2,21-T50-30-36600-4K-3M, IP66	29812	204	146	-20°C/50°C	620x285x190	T6	3	14
080806	BERGER-N-LED-2,21-T50-60-36600-4K-3M, IP66	32252	204	158	-20°C/50°C	620x285x190	T6	3	14
080807	BERGER-N-LED-2,21-T50-90-36600-4K-3M, IP66	32726	204	160	-20°C/50°C	620x285x190	T6	3	14
080853	BERGER-N-LED-2,21-T50-AS-36600-4K-3M, IP66	29159	204	143	-20°C/50°C	620x285x190	T6	3	14
080808	BERGER-N-LED-2,21-T50-WO-36600-4K-3M, IP66	31659	204	155	-20°C/50°C	620x285x190	T6	3	14
<b>Ta 60°C</b>									
080860	BERGER-N-LED-2,21-T60-30-26200-4K-3M, IP66	21603	144	150	-20°C/60°C	620x285x190	T5	3	14
080818	BERGER-N-LED-2,21-T60-60-26200-4K-3M, IP66	23408	144	163	-20°C/60°C	620x285x190	T5	3	14
080819	BERGER-N-LED-2,21-T60-90-26200-4K-3M, IP66	23622	144	164	-20°C/60°C	620x285x190	T5	3	14
080861	BERGER-N-LED-2,21-T60-AS-26200-4K-3M, IP66	21060	144	146	-20°C/60°C	620x285x190	T5	3	14
080820	BERGER-N-LED-2,21-T60-WO-26200-4K-3M, IP66	22899	144	159	-20°C/60°C	620x285x190	T5	3	14
<b>Ta 70°C</b>									
080868	BERGER-N-LED-2,21-T70-30-17800-4K-3M, IP66	14748	94	157	-20°C/70°	620x285x190	T5	3	14
080830	BERGER-N-LED-2,21-T70-60-17800-4K-3M, IP66	16002	94	170	-20°C/70°	620x285x190	T5	3	14
080831	BERGER-N-LED-2,21-T70-90-17800-4K-3M, IP66	16130	94	172	-20°C/70°	620x285x190	T5	3	14
080869	BERGER-N-LED-2,21-T70-AS-17800-4K-3M, IP66	14346	94	153	-20°C/70°	620x285x190	T5	3	14
080832	BERGER-N-LED-2,21-T70-WO-17800-4K-3M, IP66	15641	94	166	-20°C/70°	620x285x190	T5	3	14
<b>Ta -40°C</b>									
080876	BERGER-N-LED-2,21-FROST-30-26200-4K-3M, IP66	21603	144	150	-40°C/50°C	620x285x190	T6	3	14
080842	BERGER-N-LED-2,21-FROST-60-26200-4K-3M, IP66	23408	144	163	-40°C/50°C	620x285x190	T6	3	14
080843	BERGER-N-LED-2,21-FROST-90-26200-4K-3M, IP66	23622	144	164	-40°C/50°C	620x285x190	T6	3	14
080877	BERGER-N-LED-2,21-FROST-AS-26200-4K-3M, IP66	21060	144	146	-40°C/50°C	620x285x190	T6	3	14
080844	BERGER-N-LED-2,21-FROST-WO-26200-4K-3M, IP66	22899	144	159	-40°C/50°C	620x285x190	T6	3	14

### 3M - 3 modules



Order number	Name	Lighting fixture luminous flux (lm)	Power input (W)	Rated power output (lm/W)	Ta (°C)	Dimensions of lighting fixture A x B x C (mm)	T-class	Nr. LED modules	Weight (Kg)
<b>Ta 40°C</b>									
080854	BERGER-N-LED-2,21-T40-30-48800-4K-4M, IP66	39749	287	138	-20°C/40°C	825x285x190	T6	4	17
080809	BERGER-N-LED-2,21-T40-60-48800-4K-4M, IP66	43002	287	150	-20°C/40°C	825x285x190	T6	4	17
080810	BERGER-N-LED-2,21-T40-90-48800-4K-4M, IP66	43634	287	152	-20°C/40°C	825x285x190	T6	4	17
080855	BERGER-N-LED-2,21-T40-AS-48800-4K-4M, IP66	38879	287	135	-20°C/40°C	825x285x190	T6	4	17
080811	BERGER-N-LED-2,21-T40-WO-48800-4K-4M, IP66	42212	287	147	-20°C/40°C	825x285x190	T6	4	17
<b>Ta 60°C</b>									
080862	BERGER-N-LED-2,21-T60-30-30200-4K-4M, IP66	24897	163	153	-20°C/60°C	825x285x190	T5	4	17
080821	BERGER-N-LED-2,21-T60-60-30200-4K-4M, IP66	26977	163	166	-20°C/60°C	825x285x190	T5	4	17
080822	BERGER-N-LED-2,21-T60-90-30200-4K-4M, IP66	27224	163	167	-20°C/60°C	825x285x190	T5	4	17
080863	BERGER-N-LED-2,21-T60-AS-30200-4K-4M, IP66	24271	163	149	-20°C/60°C	825x285x190	T5	4	17
080823	BERGER-N-LED-2,21-T60-WO-30200-4K-4M, IP66	26391	163	162	-20°C/60°C	825x285x190	T5	4	17
<b>Ta 70°C</b>									
080870	BERGER-N-LED-2,21-T70-30-24150-4K-4M, IP66	20012	122	164	-20°C/70°C	825x285x190	T5	4	17
080833	BERGER-N-LED-2,21-T70-60-24150-4K-4M, IP66	21714	122	178	-20°C/70°C	825x285x190	T5	4	17
080834	BERGER-N-LED-2,21-T70-90-24150-4K-4M, IP66	21888	122	179	-20°C/70°C	825x285x190	T5	4	17
080871	BERGER-N-LED-2,21-T70-AS-24150-4K-4M, IP66	19466	122	160	-20°C/70°C	825x285x190	T5	4	17
080835	BERGER-N-LED-2,21-T70-WO-24150-4K-4M, IP66	21224	122	174	-20°C/70°C	825x285x190	T5	4	17
<b>Ta -40°C</b>									
080878	BERGER-N-LED-2,21-FROST-30-30200-4K-4M, IP66	24897	163	153	-40°C/50°C	825x285x190	T6	4	17
080845	BERGER-N-LED-2,21-FROST-60-30200-4K-4M, IP66	26977	163	166	-40°C/50°C	825x285x190	T6	4	17
080846	BERGER-N-LED-2,21-FROST-90-30200-4K-4M, IP66	27224	163	167	-40°C/50°C	825x285x190	T6	4	17
080879	BERGER-N-LED-2,21-FROST-AS-30200-4K-4M, IP66	24271	163	149	-40°C/50°C	825x285x190	T6	4	17
080847	BERGER-N-LED-2,21-FROST-WO-30200-4K-4M, IP66	26391	163	162	-40°C/50°C	825x285x190	T6	4	17

### 4M - 4 modules

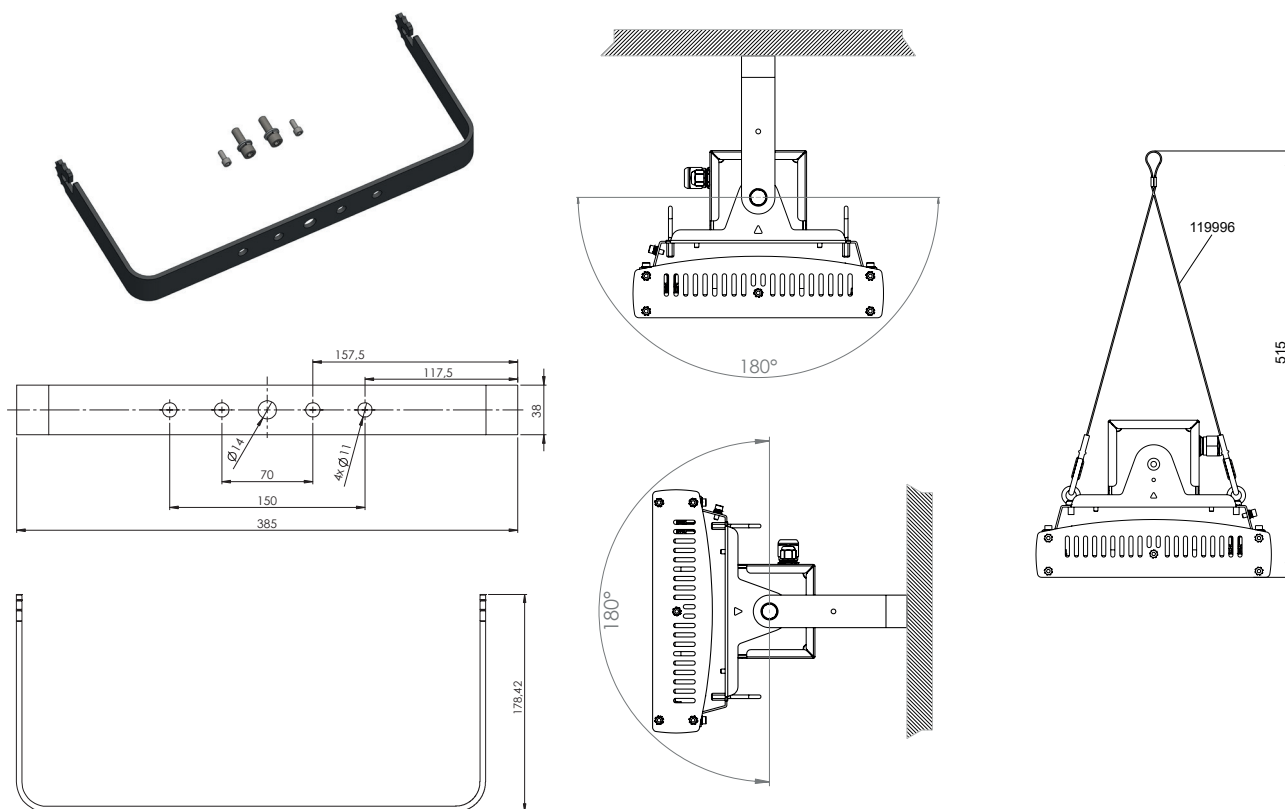


Tolerance of luminous flux and power input of the lighting fixture +/- 10%

**Accessories on request**

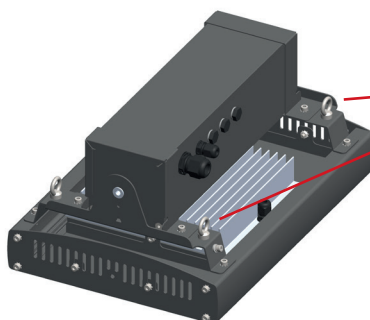
051229 - Adjustable bracket BERGER (painted steel, colour grey RAL 7043)

051235 - Certified galvanized hanger cable BERGER 0,3 m - Y (set 2pc), 2-point-mounting-indoor areas only



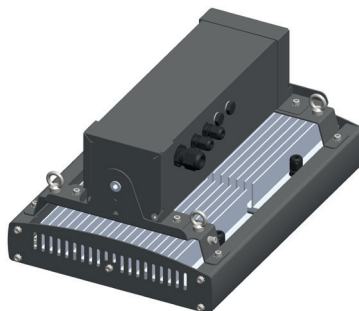
**Light fixture variants according to the number of modules**

1M - 1 module

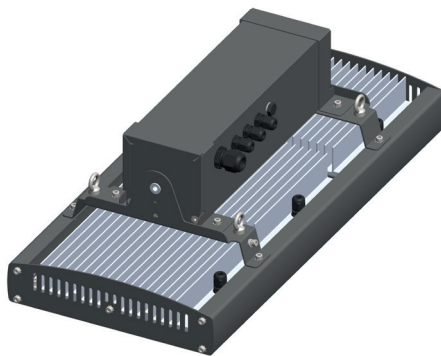


Standard equipment  
stainless steel bracket

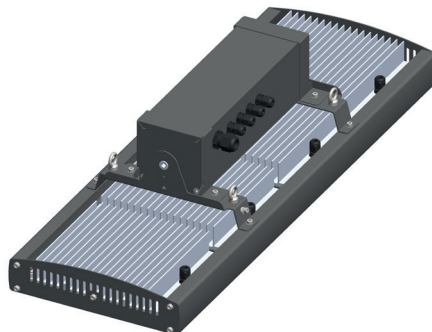
2M - 2 modules



3M - 3 modules



4M - 4 modules



On request

**DIM** – dimmable electronic ballast (DALI)

**2700/3000/4000/5000/5700/6500 K** - colour temperature

**Use of lighting fixtures in areas with danger of explosion**

Marking of external influences

**Area classification**

Danger of explosion of flammable dust

BE3N1

Marking

ZONE 21, 22

Directive

ČSN EN 60079-14, ČSN EN 60079-10-2

Danger of explosion of flammable gases and vapours

BE3N2

ZONE 2

ČSN EN 60079-14, ČSN EN 60079-10-1